

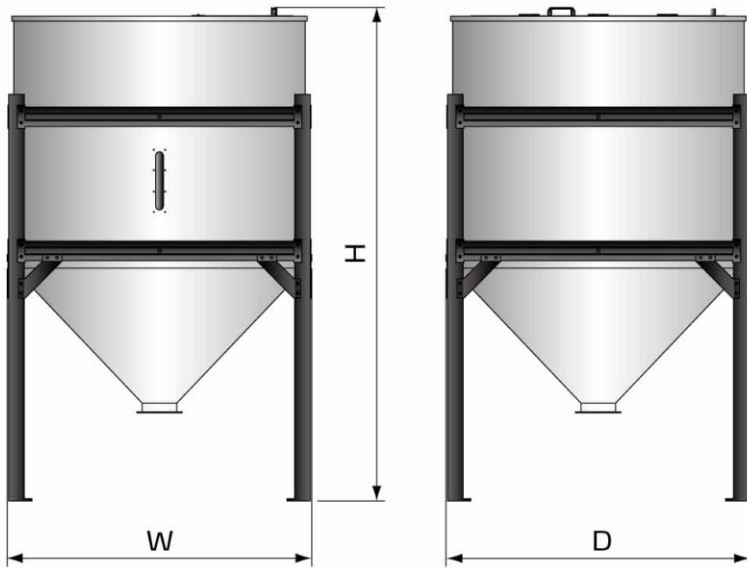


# Silo

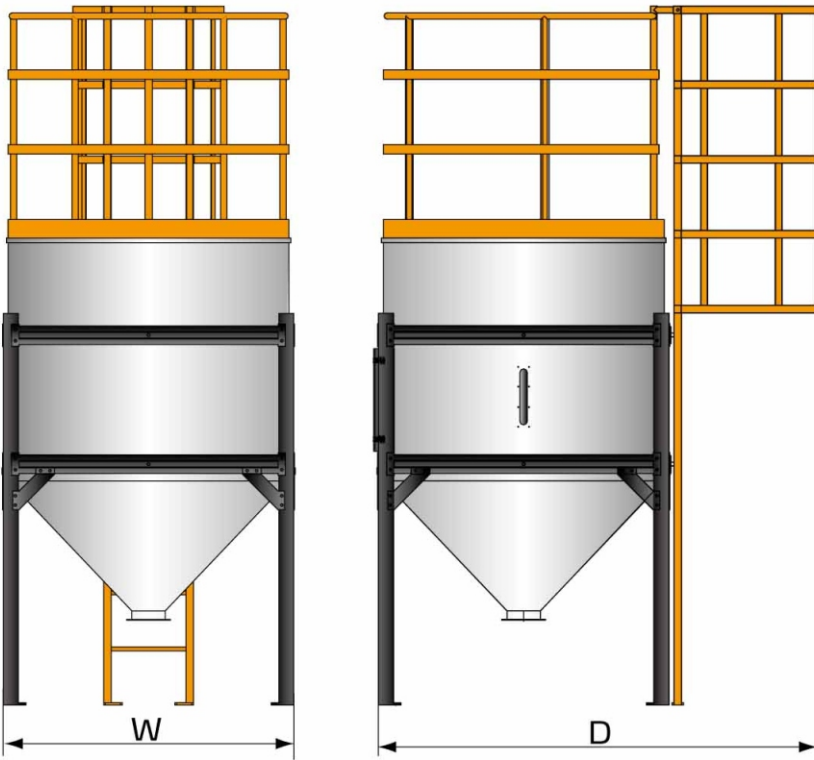
Simple Solution

# Silo Series

## Outline Drawing



## Option With Maintenance Ladder





## Specifications

| Silo  |                                    |       |       |          |               |              |                                |   |       |       |
|-------|------------------------------------|-------|-------|----------|---------------|--------------|--------------------------------|---|-------|-------|
| Model | Assembly<br>(support frame+barrel) |       |       | Material |               | Barrel       | With Option Maintenance Ladder | Components<br>(support frame+barrel+<br>Maintenance Ladder) |       |       |
|       | W(mm)                              | D(mm) | H(mm) | Barrel   | Support frame | Capacity (L) |                                | W(mm)   | D(mm) | H(mm) |
| 1T    | 1568                               | 1583  | 2098  | SUS201   | SPH           | 2000         |                                | 1568  | 1583  | 3340  |
| 1.5T  | 1568                               | 1583  | 2498  | SUS201   | SPH           | 2750         |                                | 1568  | 2366  | 3738  |
| 2T    | 1568                               | 1583  | 2948  | SUS201   | SPH           | 3500         |                                | 1568  | 1583  | 3818  |
| 3T    | 1568                               | 2366  | 4190  | SUS201   | SPH           | 5000         |                                | 1568  | 2366  | 5060  |
| 4T    | 1992                               | 2008  | 3418  | SUS201   | SPH           | 6500         |                                | 1992  | 2008  | 3959  |
| 5T    | 1992                               | 2008  | 3963  | SUS201   | SPH           | 8000         |                                | 1992  | 2796  | 5193  |
| 6T    | 1992                               | 2008  | 4508  | SUS201   | SPH           | 9500         |                                | 1992  | 2796  | 5743  |

We reserve the right to change specifications without prior notice.

## Shini Group

Addr: No. 23, Minhe St., Shulin Dist.,  
New Taipei, Taiwan

Tel: +886 2 2680 9119

Fax: +886 2 2680 9229

Email: [shini@shini.com](mailto:shini@shini.com)

### Factories:

- Taiwan
- Dongguan
- Pinghu
- Ningbo
- Chongqing
- Pune

2017-11-15-04 Copyrights Reserved.

[www.shini.com](http://www.shini.com)